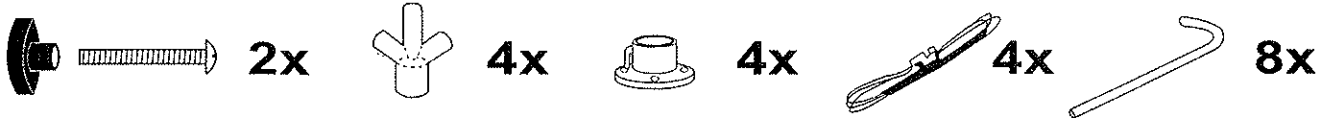
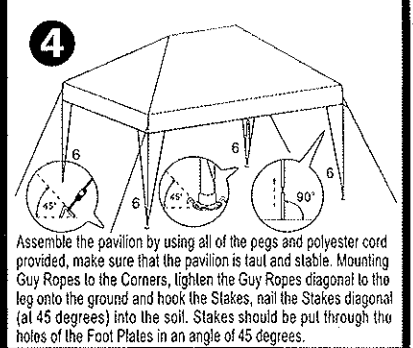
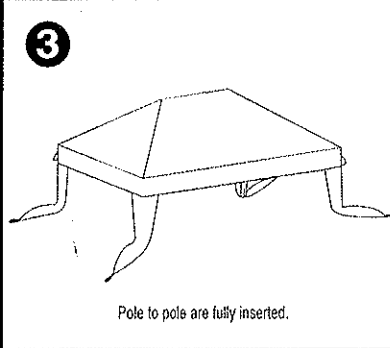
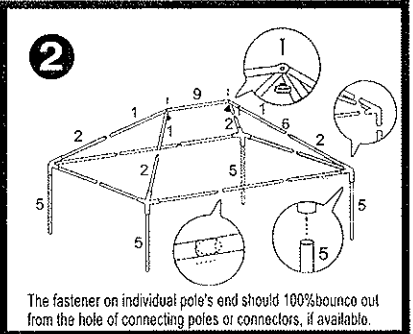
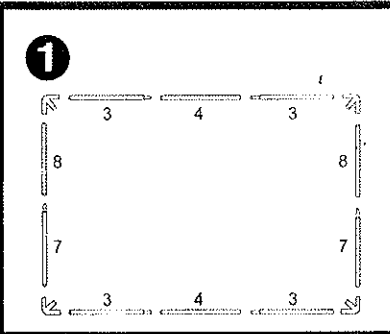


## PE 2mx3mx2.50m

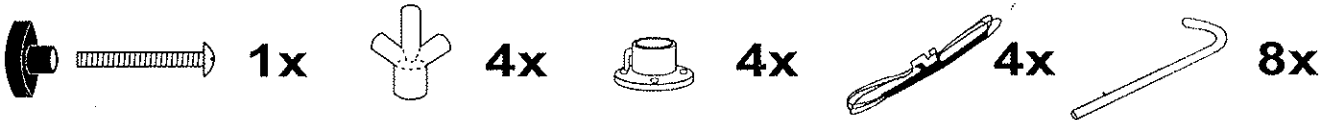


1		4x
2		4x
3		4x
4		2x
5		4x
6		4x
7		2x
8		2x
9		1x

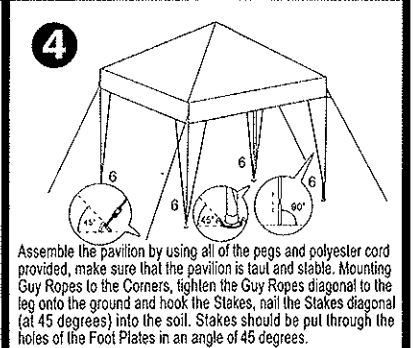
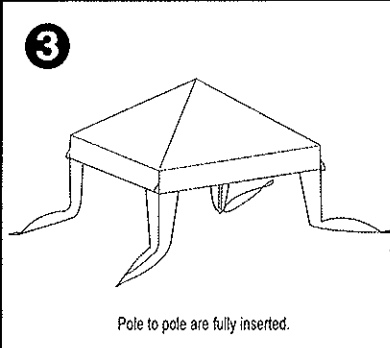
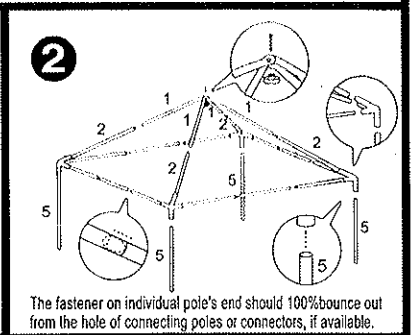
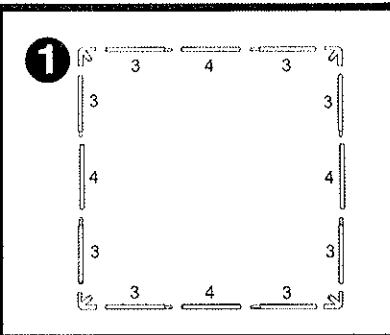


**Warning:** Do not assemble or use pavilion under HIGH WIND. Pavilion should erect on a solid and flat surface. Minimum 2 persons are required for assembling. From force of strong wind the pavilion has to be dismantled. Never use fire nearby or inside the pavilion.

## PE 3mx3mx2.75m



1		4x
2		4x
3		8x
4		4x
5		4x
6		4x



**Warning:** Do not assemble or use pavilion under HIGH WIND. Pavilion should erect on a solid and flat surface. Minimum 2 persons are required for assembling. From force of strong wind the pavilion has to be dismantled. Never use fire nearby or inside the pavilion.

## **Care Instruction for Sidewall**

### **Special Indications:**

Before you set up the sidewall, please read exact the following indicatins. Only on this way is a unobjectionable use ensured. A wrong succession by setting up could evoke a damage at the sidewall and the attachment. Warrantys of each kind are impossible in any case. Zippers are abrasion part and don't fall under the guarantee-modifications, if available. It is not recommended to take away any sewn label.

### **Take down of the sidewall:**

Before take down, the sidewall should be cleaned from inside and outside. The take down of the sidewall must be in contrary succession like the erection of the sidewall.

### **Pack up the sidewall for storage:**

Please take care that the sidewall is dry and cleaned before storing it. Collect all parts and count before packed to ensure no parts is left or lost. At the end, the folded sidewall must be packed. To gain you long joy with your sidewall, clean the sidewall just with an mild detergent. After that the

**BRUNNER**  
INTERNATIONAL

sidewall should be dried. Mildew / blight and mould stains can be removed with mild soap. Do not use any solvent detergent. Those can bleach or damage the textile.

### **Consideration:**

To avoid possible damages never use alkaline or acid detergents as well, do not use injectors for cleaning the sidewall. To avoid material bleach, waterscapes (water collections on the roof) should be avoided, while the water should be pored off or the sidewall should be dismantled. Please mind that your sidewall is not 100% water resistant, even with PE textile or impregnated Polyester textile (depends on the model), so it is possible if it rains that water can pour through the seams. Your sidewall serves more for protection against sun and not for rain or wind protection.

### **Warning:**

Never use fire nearby sidewall  
The Pole should stand perpendicular at 90 degrees to the floor.